



Flexible Isolator for Research

Biomedical & Veterinary

A **wide range** of modular and ergonomic isolators

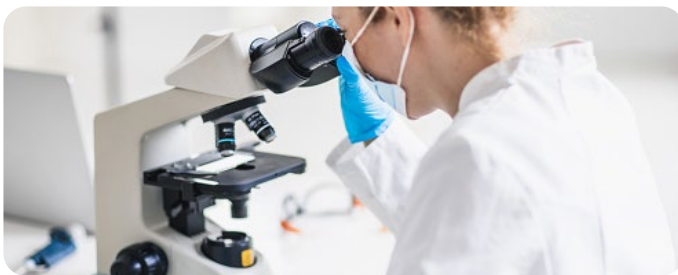




A complete isolator, adapted to your needs

Designed specifically for biomedical research and animal containment, the Piercan flexible isolator guarantees airtight spaces of intervention with a controlled atmosphere. Compared to the rigid isolator, it offers both a great comfort of use thanks to the flexible PVC material and also an economic advantage. It is interchangeable on new or existing installations and can be connected to other containment devices.

Areas of application



MICROBIOLOGY

- Use: research, experimentation, production, transfer...



VETERINARY

- Use: research, containment of animals, animal breeding and reproduction...



PHARMACEUTICAL

- Use: product containment maintenance, protection of operators...



HOSPITAL MEDICAL

- Use: prevention of risk of contamination, protection of staff and patients...

Products Customization

The flexible isolator consists of a transparent crystal PVC envelope, held by a structure made of steel tubes. A wide choice of options will allow you to get a customized product that meets your needs.

The dimensions as well as the number of sleeves can be adapted according to the specifications.

- W: 50 to 150 cm*
- L: 50 to 190 cm*
- H: variable

*Possible to customize for larger dimensions

Perfect control of air flow inside the isolator and the quality of the airtight intervention spaces guarantee the protection of animals, products or operators in a context of use between 15 and 30 °C.



opposite figure: model with 4 sleeves

AIRTIGHT AND SECURE TRANSFERS

Beyond guaranteeing a physical barrier between the airtight intervention space and the user, movement of materials or animals in and out of an isolator without breaking the sterile enclosure remains an important issue. Thanks to the transfer port on a stainless steel frame, the entries and exits of the elements of an isolator can be carried out in complete safety without breaking the containment.

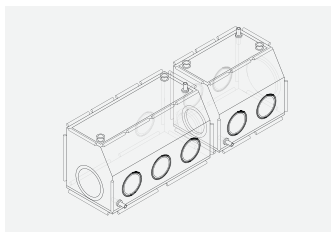
TWO PRESSURE MODES

The Piercan flexible isolator offers two pressure modes: positive (over-pressurisation) or negative (depressurisation). The over-pressurisation helps protect animals from any pollutants or contaminants from outside. Depressurisation helps protect operators from any substance contained in the isolator. Perfect control of air flow in over-pressurisation, in depressurisation and even

in anaerobic controlled atmosphere (nitrogen, CO₂, etc.) - "Freter chamber*" type. Possibility to customize the motorization and the inlet air. The control panel, accessorization and filtration technology of type U15 / H14 can be added upon request as an option.

*Freter chamber used for the study of the intestinal microbiota in a confined and controlled environment.

Customized options



- **Adaptable number of sleeves**
Dimensions are adaptable according to your specifications. Interchangeable or welded to the isolator.



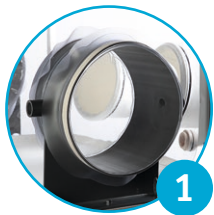
- **Transfer hatch**
Customized airtight zipper possible for large volume transfers.



- **Steel lifting table**
Fixed to the isolator, height-adjustable base (steered wheels with possible brakes)



- **Quality calendered and crystal plastic sheets**
A good optical quality is guaranteed and offering great comfort of use.



AIRLOCK PASSAGE PVC

This lateral SAS passage allows connection to other isolators for an extension of airtight spaces of intervention as well as the passage of products with a sterilization cycle that can be carried out in situ.



PORT RING FOR INTERCHANGEABLE SLEEVE

Replacing the sleeves without the risk of breaking containment is guaranteed. Sleeves with the integrated secure connection ring (BCS Piercan) are also available.



TRANSFER PORT ON STAINLESS STEEL FRAME

This device permits transfer of materials in and out of an isolator without breaking sterile containment.

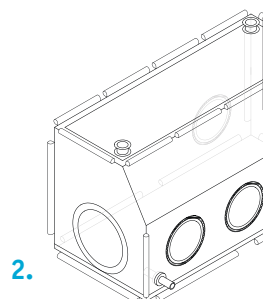
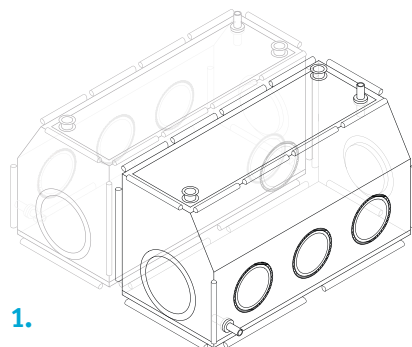


PORT RING FOR INTERCHANGEABLE ELS GLOVE

For welded sleeves, Piercan offers ELS gloves with the integrated secure connection ring (BCS Piercan) allowing the ELS glove to be changed without loss of containment. ELS gloves with standard rings are also available.

Different possibility of **isolators** combinations

1. Back-to-back assembly of 2 identical isolators.
2. Side assembly of 2 different isolators.
3. Back to back and lateral assembly of 4 isolators.





PRODUCT BENEFITS

- An isolator adaptable to your needs and customized thanks to a wide choice of options: dimensions, number of sleeves, accessories ...
- Walls in translucent calendered PVC guarantee perfect transparency (even in daylight). Front is sloped for a comfortable working position.
- Quick and easy installation and implementation
- Great flexibility in use and manipulation, compatible and adaptable to any installation
- Effective barrier against pollutants and contaminants
- Lighter and less expensive than a rigid isolator

Accessories for flexible isolator

The isolator accessories are made of colored or transparent plastic sheets with or without support rings. They have good mechanical properties, are airtight, and provide secure transfer of liquids and low concentration chemicals.



ELECTRICAL OUTLET

A device allowing connection to electrical devices outside the isolator. A «gold plated» surface treatment on the terminals which are inside the isolator guarantees any possible oxidation.

OTHER CONNECTING EQUIPMENTS



Mini rigid airlock or grommet



Flexible connectors for HEPA filters



Crossings flexible tubes



Crossings rigid tubes



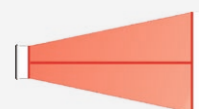
LIAISON BELLOWS



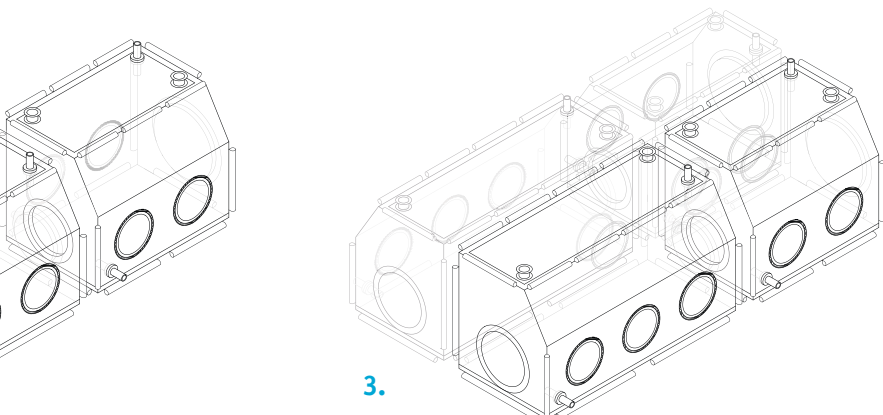
"INTERNAL" CAP
with gasket



"EXTERNAL" CAP
without gasket



HANDLING SLEEVE



From the design to the production of the **customized isolator**

From the expression of your needs, Piercan brings you the right solution via a controlled process - design, manufacturing, control-where quality is the focus of our process.

1. THE **DESIGN**



• Design Office

Analyzes your requests and accompanies you in the search for the most suitable solution including choice of material, product development and prototyping.

2. **MANUFACTURING**



• The Fabric

is cut using circular and vibrating blades, into patterns, mattress formats or templates and then welded using high frequency.

• Properties

Compatible with cleaning agents, decontamination and disinfection.

3. THREE STEP **CONTROL**



1•Incoming inspection

of raw materials and tools.

2•Control

of physiochemical parameters and production parameters.

3•Control of the finished product

Sealing, Welding controls and Stamping of the product for complete traceability.

Other isolator models already developed by Piercan

We have developed a number of models of flexible isolators and intervention glove boxes. Please do not hesitate to contact our design office for more information on existing models.

HEALTH - PHARMACEUTICAL

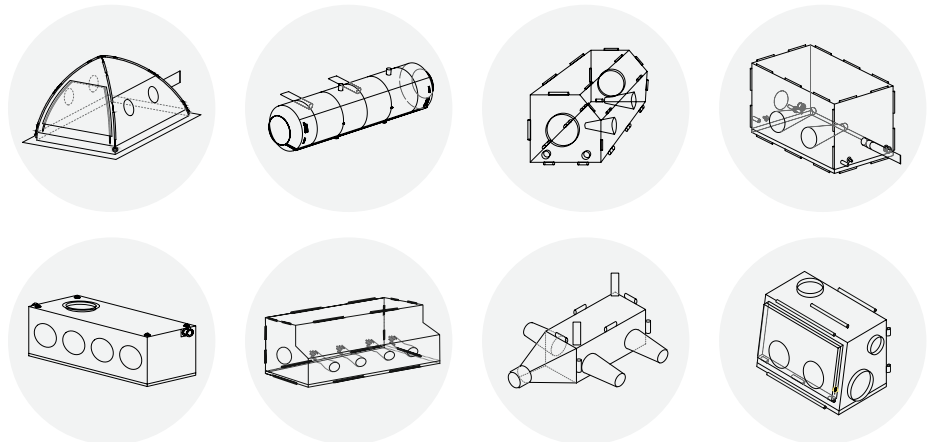
FOOD INDUSTRY

NUCLEAR

POLICE

It is a **work enclosure** with flexible and transparent walls, which offers a **panoramic view** of the work area while ensuring both respiratory and skin protection.

Moreover, the intervention glove box, made of a semi-rigid non-metallic structure, can be assembled in a few minutes. It can be mountable and demountable very quickly and easily transportable thanks to its lightness. It can meet many needs in the laboratory or in the field.



A QUESTION OR IN NEED OF INFORMATION?

Please do not hesitate to contact our sales team by phone or email. Piercan's services and products are only one call away:

☎ Telephone +33 (0)1 45 88 66 27 (FR)
+1 760 599 4543 (USA)

✉ E-mail piercan@piercan.com



PIERCAN FRANCE

Impasse des Macareux
14520 Port-en-Bessin-Huppain - FRANCE
T +33 (0)1 45 88 66 27
piercan@piercan.com | piercan.com

PIERCAN USA, INC.

160 Bosstick Blvd
92069 San Marcos, CA - USA
T +1 760 599 4543
piercan@piercan.com | piercan.com

